



OPERATION MANUAL

IMPORTANT SAFETY INSTRUCTIONS PERTAINING TO INJURY.

SAVE THESE INSTRUCTIONS

READ ALL INSTRUCTIONS BEFORE USING.

FOR HOME USE ONLY, USE ONLY AS INTENDED.

KEEP AWAY FROM CHILDREN, NOT A TOY.



Intertek

3135426

MADE IN CHINA

Distributed by:
Dynamic Solutions Worldwide, LLC
12247 W. Fairview Ave.
Milwaukee, WI 53226
EPA Est. No. 091481-CHN-001

SUPPORT

support@dynasteam.com

1-877-403-8727

www.dynasteam.com

WARNING

RISK OF INJURY

Steam is extremely hot and parts may become dangerously hot on contact!

Never touch or point steam at yourself or others!

When using DynaSteam Accessories, precautions should always be followed, including the following:

- DynaSteam is not a toy and should never be operated by children.
- Steam temperatures exceed 300°F, never direct steam at people, animals or electrical devices.
- The DynaSteam is designed for household use only.
- Never operate without water in tank.
- Do not overfill the water tank. The DynaSteam maximum capacity is 1.5 quarts of water (6 cups). Over filling of the water tank may cause damage or injury.
- Never turn DynaSteam over or tilt more than 45° when it is switched on or if still producing steam.
- Do not operate DynaSteam for more than 1 hour at a time.
- Do not expose to rain or immerse the DynaSteam, Cord, or Plug in water or any other liquid.
- No user serviceable parts.
- Do not attempt to make any repairs yourself. The DynaSteam should only be serviced by qualified electricians. For repairs and assistance, contact the DynaSteam team at (877) 403-8727
- Keep hair, loose clothing, fingers, feet and all parts of body away from the jet of steam.
- Do not operate DynaSteam in bare feet or when wearing open toe shoes or sandals.
- Never operate without the fill cap screwed tightly in place.
- Do not pull or carry DynaSteam by the cord, use cord as a handle, close door on cord or pull cord around sharp edges or corners.
- Keep cords away from heated surfaces.
- Never leave DynaSteam unattended while plugged in.
- Always unplug DynaSteam when not in use. Turn all controls off before unplugging.
- Do not unplug by pulling cord. Always grasp the plug, not the cord.
- Never operate with a damaged cord.
- Never handle plug or appliance with wet hands.
- Never use DynaSteam to clean electrical devices.
- Never direct the steam or water towards equipment containing electrical components such as oven interiors.
- Do Not store or operate near flammable materials.
- Do Not place DynaSteam on or beneath insulating materials such as blankets, towels, or papers.
- Always store DynaSteam in a dry location.
- Do not expose DynaSteam to freezing temperatures.
- Use only original DynaSteam accessories.
- Check the DynaSteam and power cords for worn parts and irregularities before using. Do not power on the DynaSteam if it is damaged.

PRECAUTIONS



HOT STEAM AND PARTS

May Cause Severe Skin Burns And Property Damage. Temperatures Exceed 300° F



CAUTION

Always attach accessories before turning the DynaSteam on. Never remove accessories while powered on, or warm to the touch.

FABRICS & FINISHES

CAUTION: Some fabrics and finishes are not compatible with steam. Do not use steam on leather, waxed floors, synthetic fabric, velvet, and other delicate materials. When using steam, always refer to the manufacturers guidelines and test in a small discrete area first.

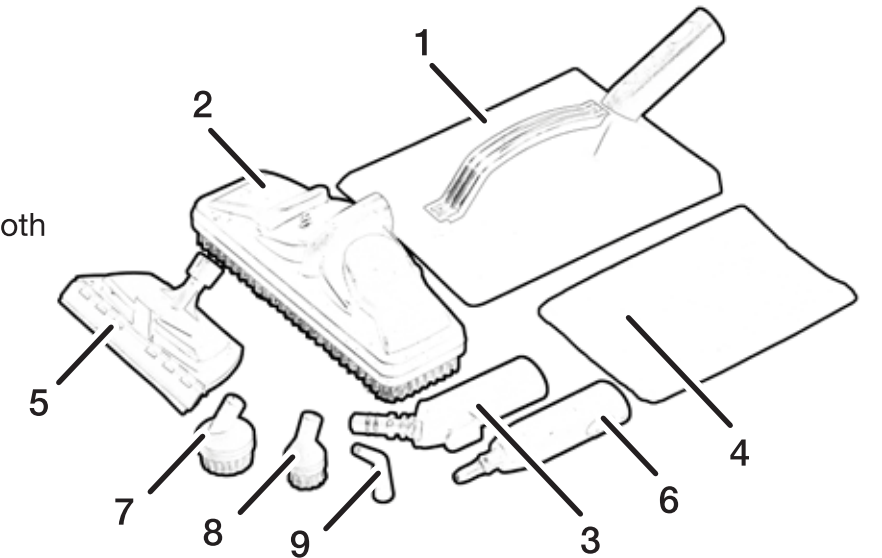
GLASS/MIRRORS

WARNING: Never apply steam to glass or mirror surfaces with a temperature lower than 32° F. Thermal shock due to extreme temperature differences can shatter glass and mirrors on contact.

ACCESSORIES

Only for use with DynaSteam™ DS1600

- 1 Wallpaper Remover
- 2 Floor Scrub Brush
- 3 Floor Scrub Brush Adapter
- 4 Floor Scrub Brush Cleaning Cloth
- 5 Steam Squeegee
- 6 Small Tip Adapter
- 7 Round Bristle Brush - Large
- 8 Round Bristle Brush - Small
- 9 Power Jet Tip - Angled

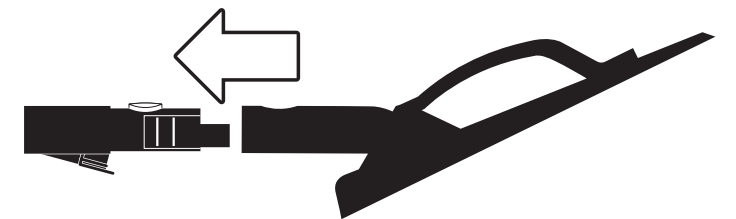


WALLPAPER REMOVER

Hold Wallpaper Removal Tool (1) flat on wallpaper and apply steam for 10 - 20 seconds. (Time will vary depending on individual circumstances)

Remove steamed section of wallpaper by scraping with putty knife.

TIP: Scoring surface of wallpaper with scoring tool prior to applying steam will help steam penetrate the wallpaper with increased effectiveness.



ROUND BRUSHES

Round Bristle Brushes (7,8) are perfect for cleaning and degreasing small areas.

Connect Bristle Brushes to Small Tip Adapter (6).



POWER JET TIP

Angled Jet Tip (9) concentrates powerful stream to remove stubborn build up and stains in hard to reach places.

Connect Power Jet to Small Tip Adapter (6).



STEAM SQUEEGEE

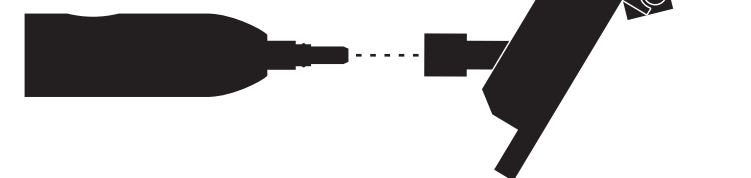
Use the Steam Squeegee (5) to clean shower doors and walls, mirrors, windows, and more.

Connect Steam Squeegee to Small Tip Adapter (6).

Never use when glass temperature is below 32°F. Glass may shatter when used in cold temperatures.

TIP: Remove Squeegee clip to use as fabric steamer.

With Squeegee Clip



Without Squeegee Clip

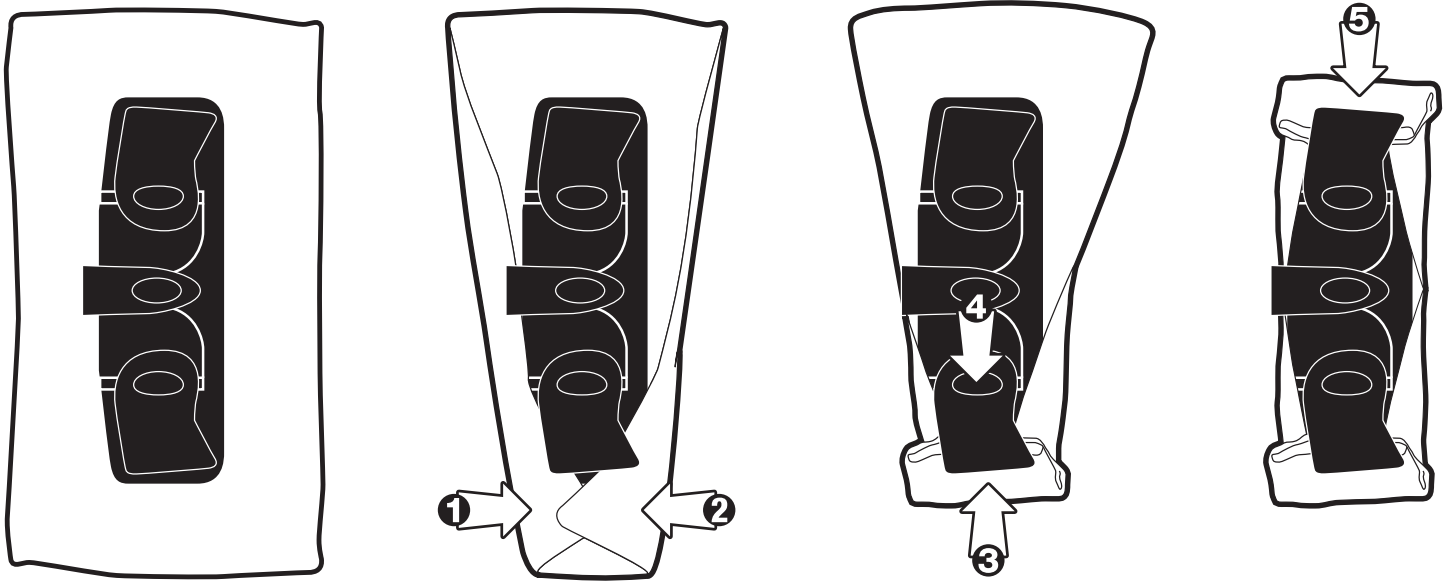
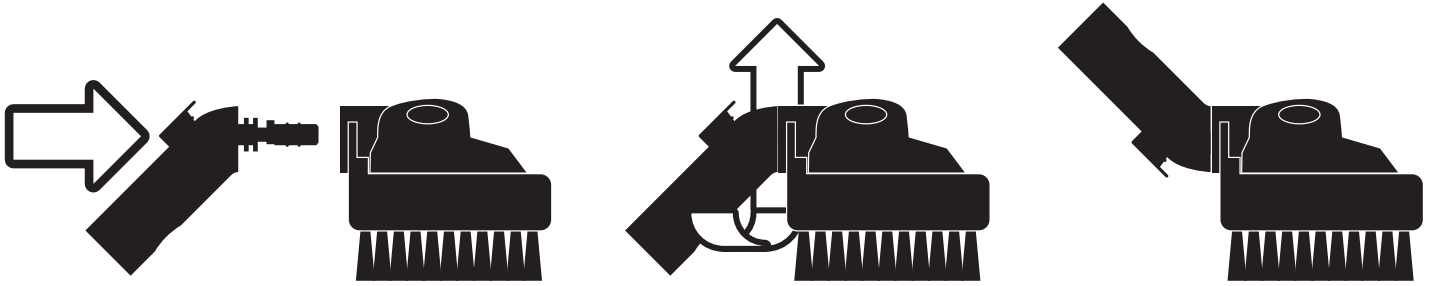


FLOOR SCRUB BRUSH

Floor Scrub Brush (2) quickly cleans and removes built up dirt and debris from floors and flat surfaces.

Connect to Floor Scrub Brush Adapter (3). Fully insert adapter angled down in to brush, rotate adapter 180° into operating position.

For delicate surfaces use Cleaning Cloth (4) by folding and securing to Scrub Brush beneath side clips.



LIMITED WARRANTY

DYNAMIC warrants to the original purchaser that this product is free from defective materials and workmanship. This warranty is limited to remedy any defective part for a period of one year from date of original date of purchase. Retain your original receipt as proof of purchase. This warranty does not apply to, in our judgment, misuse or abuse. If this unit has been altered, no warranty is in force. This warranty does not apply if this unit is purchased outside the United States, Canada and Mexico. In no case shall DYNAMIC be liable for any accidental, punitive, consequential, or any other damages of any kind for breach of this or any other warranty, expressed or implied, whatsoever. Some states do not allow limitation on how long an implied warranty lasts, so the above limitation or exclusion may not apply to you. This warranty gives you specific legal rights, and you may also have other rights that vary from state to state.

REGISTER ONLINE AT: www.dynasteam.com/registration

To obtain warranty service during the warranty period, send the defective product postage pre-paid, along with proof of purchase showing date of purchase to the address below.

Dynamic Solutions Worldwide, LLC
12247 W. Fairview Ave. Milwaukee, WI 53226
Attn: Service Department



Dynamic Solutions Worldwide, LLC
12247 W. Fairview Ave.
Milwaukee, WI 53226

support@dynasteam.com
1-877-403-8727
www.dynasteam.com